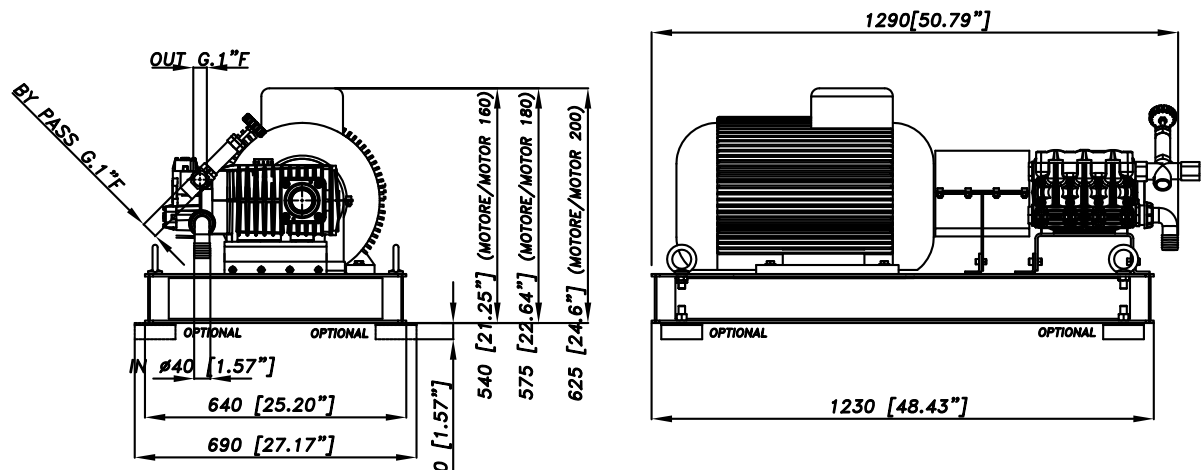


Caratteristiche - Specifications - 特征

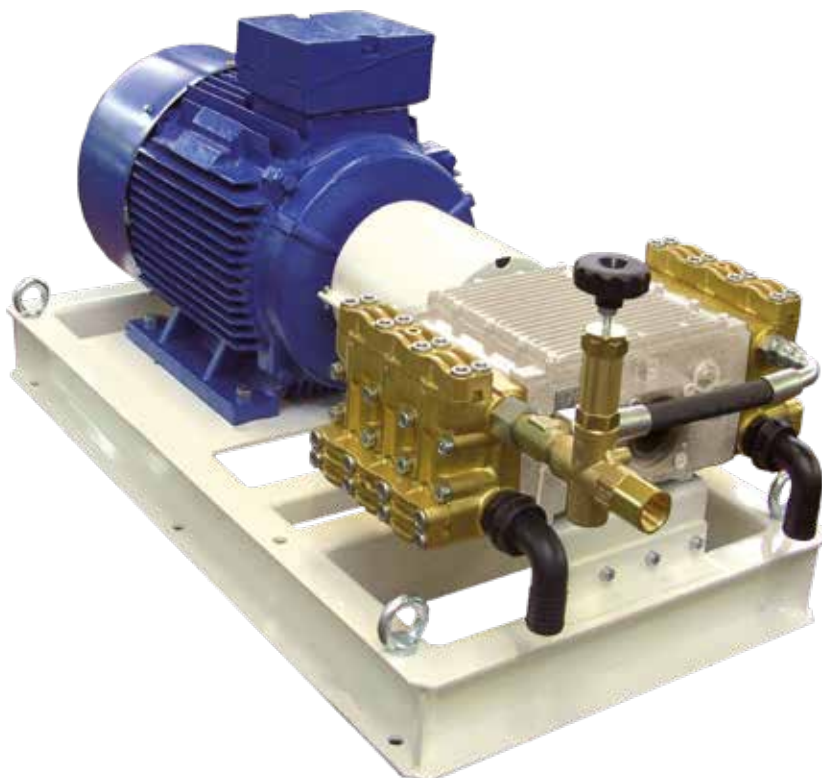
| | | |
|------------------------------|----------------------|--------------------------|
| IN 输入 | Ø直径 | 1"1/2 BSP |
| | Press. Min. 最小压力 | -0.2 bar -3 psi -0.2巴 |
| | Press. Max. 最大压力 | 6 bar 87 psi 6巴 |
| | Temp. Max. 最高温度 | 60° C 140° F 60摄氏度 |
| OUT 输出 | Ø直径 | 3/4" BSP |
| | Valve out 输出阀 | 1" BSP |
| | Valve by-pass 分流阀 | 1" BSP |
| OIL 油 | SAE 75W 90 | 2.8 Lt 0.74 U.S.G. |
| Basamento - Base - 底座 | | |
| SIZES 尺寸 | mm / inch 毫米/英寸 | 1230x640 / 48.43"x25.20" |
| WEIGHT 重量 | Kg. / lbs 公斤/磅 | 65 / 143 |

| GRUPPO ELETTROPOMPA POWER UNIT 成套动力装置 (A) | CODICI CODES 编号 | BASAMENTO BASE 底座 (B) | GRUPPO COMPLETO COMPLETE POWER UNIT 完整小组 (A+B) | POMPA PUMP 泵 | MOTORE TRIFASE THREE-PHASE MOTOR 三相电机 | | | RPM 转速 | PRESSIONE PRESSURE 压力 | | PORTATA FLOW 流量 | | PESO GRUPPO COMPLETO POWER UNIT WEIGHT 动力装置重量 | |
|----------------------------------------------------|-----------------------|--------------------------------|---------------------------------------------------------|--------------------|---------------------------------------------|----------|---------|-----------|-----------------------------|---------------|-----------------------|--------------|-----------------------------------------------------|----------|
| | | | | | 50Hz - 400V | kW 千瓦 | A 安培 | | bar 巴 | psi 磅/平方英寸 | L/min 升/分钟 | GPM 加仑/分钟 | Kg 公斤 | LBS 磅 |
| 73.9103.97.3 | 73.9502.97.3 | 73.9203.97.3 | CK 2216.1 | 160L 4 POLI | 15 | 29.5 | 1450 | 100 | 1450 | 63 | 16.6 | 270 | 594 | |
| 73.9106.97.3 | 73.9500.97.3 | 73.9206.97.3 | CK 2216.1 | 180L 4 POLI | 22 | 42.0 | 1450 | 150 | 2175 | 63 | 16.6 | 326 | 717 | |
| 73.9104.97.3 | 73.9500.97.3 | 73.9204.97.3 | CK 2220.1 | 180M 4 POLI | 18.5 | 35.0 | 1450 | 100 | 1450 | 80 | 21.1 | 312 | 686 | |
| 73.9107.97.3 | 73.9501.97.3 | 73.9207.97.3 | CK 2220.1 | 200L 4 POLI | 30 | 56.6 | 1450 | 150 | 2175 | 80 | 21.1 | 382 | 840.4 | |
| 73.9105.97.3 | 73.9500.97.3 | 73.9205.97.3 | CKL 2226.1 | 180L 4 POLI | 22 | 42.0 | 1450 | 100 | 1450 | 97 | 25.7 | 326 | 717 | |
| 73.9108.97.3 | 73.9501.97.3 | 73.9208.97.3 | CKL 2226.1 | 200L 4 POLI | 30 | 56.6 | 1450 | 150 | 2175 | 97 | 25.7 | 382 | 840.4 | |
| 73.9109.97.3 | 73.9501.97.3 | 73.9209.97.3 | CKL 2233.1 | 200L 4 POLI | 30 | 56.6 | 1450 | 120 | 1740 | 126 | 33.2 | 382 | 840.4 | |
| 73.9100.97.3 | 73.9501.97.3 | 73.9200.97.3 | CK 1224.1 | 200L 6 POLI | 18.5 | 37.3 | 975 | 80 | 1160 | 97 | 25.7 | 371 | 816 | |
| 73.9101.97.3 | 73.9501.97.3 | 73.9201.97.3 | CK 1229.1 | 200L 6 POLI | 22 | 43.9 | 975 | 80 | 1160 | 124 | 32.7 | 380 | 836 | |
| 73.9102.97.3 | 73.9501.97.3 | 73.9202.97.3 | CK 1235.1 | 200L 6 POLI | 22 | 43.9 | 975 | 70 | 1015 | 150 | 39.7 | 380 | 836 | |



Caratteristiche - Specifications - 特征

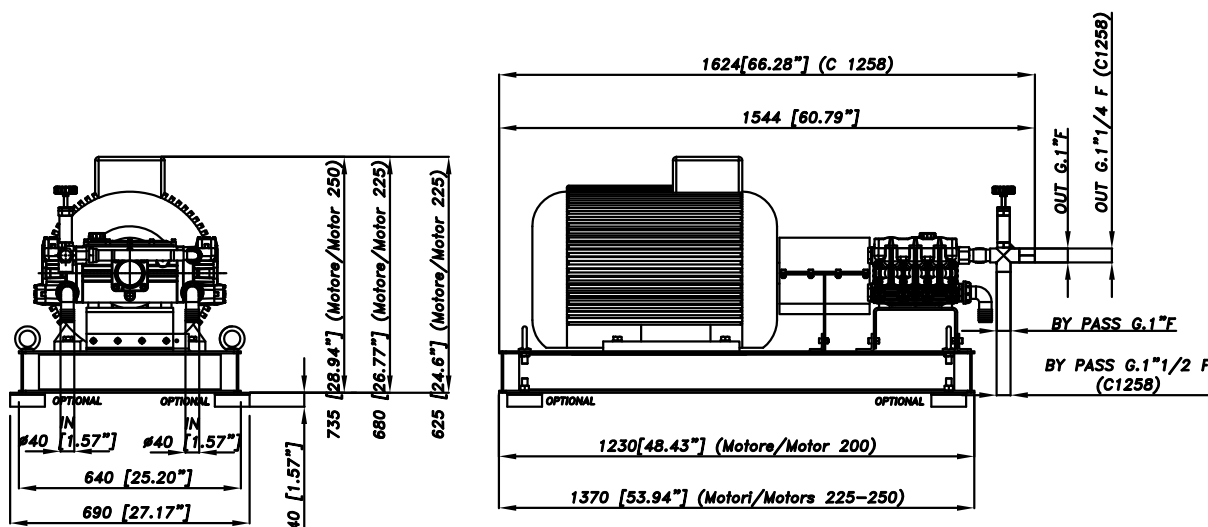
| | | |
|--------|----------------------|-----------------------------|
| IN 输入 | Ø直径 | 1" 1/2 BSP (NR. 2) |
| | Press. Min. 最小压力 | -0.2 bar -3 psi -0.2 巴 |
| | Press. Max. 最大压力 | 6 bar 87 psi 6 巴 |
| | Temp. Max. 最高温度 | 60° C 140° F 60 摄氏度 |
| OUT 输出 | Ø直径 | 1" BSP (NR. 2) |
| | Valve out 输出阀 | 1" BSP / 1" 1/4 BSP (C1258) |
| | Valve by-pass 分流阀 | 1" BSP / 1" 1/2 BSP (C1258) |
| OIL 油 | SAE 75W 90 | 2.8 Lt 0.74 U.S.G. |



Basamento - Base - 底座

| | | |
|--------------|-----------|--------------------------|
| SIZES 尺寸 | mm / inch | 1230x640 / 48.43"x25.20" |
| | 毫米/英寸 | 1370x640 / 53.93"x25.20" |
| WEIGHT 重量 | Kg. / lbs | 70 / 154 |
| | 公斤/磅 | |

| GRUPPO ELETTROPOMPA POWER UNIT 成套动力装置 (A) | CODICI CODES 编号 BASAMENTO BASE 底座 (B) | GRUPPO COMPLETO COMPLETE POWER UNIT 完整小组 (A+B) | POMPA PUMP 泵 | MOTORE TRIFASE THREE-PHASE MOTOR 三相电机 | | | RPM 转速 | PRESSIONE PRESSURE 压力 | | PORTATA FLOW 流量 | | PESO GRUPPO COMPLETO POWER UNIT WEIGHT 动力装置重量 | |
|----------------------------------------------------|---------------------------------------------------------|---------------------------------------------------------|--------------------|---------------------------------------------|---------|----------|-----------|-----------------------------|---------------|-----------------------|----------|-----------------------------------------------------|------|
| | | | | 50Hz - 400V 千瓦 | A 安培 | bar 巴 | | psi 磅/平方英寸 | L/min 升/分钟 | GPM 加仑/分钟 | Kg 公斤 | LBS 磅 | |
| 76.9105.97.3 | 73.9503.97.3 | 76.9205.97.3 | CK 2010 | 225M 6 poli | 30 | 58,9 | 975 | 90 | 1305 | 189 | 50 | 475 | 1045 |
| 76.9106.97.3 | 73.9504.97.3 | 76.9206.97.3 | CK 2580 | 250M 6 poli | 37 | 69,3 | 975 | 70 | 1015 | 243 | 64,3 | 591 | 1300 |



ELETTROPOMPE

Pumps with electric motor - Pompes électriques - 电动泵



| 1450 rpm 1450转速 | | MONOFASE - SINGLE PHASE - MONOPHASE - 单相 | | | | | | | |
|----------------------|------------------------|------------------------------------------|------------|-------------------|----------|--------------------|------|------------------|------|
| CODICE CODE 编号 | MODELLO MODEL 型号 | Press. Max / Max Pres./最大压力 | | Portata / Flow/流量 | | Potenza / Power/功率 | | Peso / Weight/重量 | |
| | | bar磅 | psi磅/每平方英寸 | L/min升/分钟 | GPM加仑/分钟 | kW千瓦 | HP马力 | Kg公斤 | LBS磅 |
| 04.7050.97.3 | WBL 813 | 130 | 1900 | 8 | 2.1 | 1.8 | 2.5 | 24 | 52.8 |
| 04.7051.97.3 | WBL 911 | 110 | 1600 | 9 | 2.3 | 1.8 | 2.5 | 24 | 52.8 |
| 04.7052.97.3 | WBL 1010 | 100 | 1450 | 10 | 2.6 | 1.8 | 2.5 | 24 | 52.8 |
| 04.7053.97.3 | WBL 1012 | 120 | 1750 | 10 | 2.6 | 2.2 | 3.0 | 27 | 59.4 |
| 04.7054.97.3 | WBL 1109 | 90 | 1300 | 11 | 2.9 | 1.8 | 2.5 | 24 | 52.8 |
| 04.7055.97.3 | WBL 1111 | 110 | 1600 | 11 | 2.9 | 2.2 | 3.0 | 27 | 59.4 |

| 2800 rpm 2800转速 | | MONOFASE - SINGLE PHASE - MONOPHASE - 单相 | | | | | | | |
|----------------------|------------------------|------------------------------------------|------------|-------------------|----------|--------------------|------|------------------|------|
| CODICE CODE 编号 | MODELLO MODEL 型号 | Press. Max / Max Pres./最大压力 | | Portata / Flow/流量 | | Potenza / Power/功率 | | Peso / Weight/重量 | |
| | | bar磅 | psi磅/每平方英寸 | L/min升/分钟 | GPM加仑/分钟 | kW千瓦 | HP马力 | Ø. mm直径 | mm毫米 |
| 04.7056.97.3 | WBL 812-F | 120 | 1750 | 8 | 2.1 | 1.8 | 2.5 | 24 | 52.8 |
| 04.7057.97.3 | WBL 1010-F | 100 | 1450 | 10 | 2.6 | 1.8 | 2.5 | 24 | 52.8 |
| 04.7058.97.3 | WBL 1012-F | 120 | 1750 | 10 | 2.6 | 2.2 | 3.0 | 27 | 59.4 |
| 04.7059.97.3 | WBL 1110-F | 100 | 1450 | 11 | 2.9 | 2.2 | 3.0 | 27 | 59.4 |

| 1450 rpm 1450转速 | | TRIFASE - THREE PHASE - TRIPHASE - 三相 | | | | | | | |
|----------------------|------------------------|---------------------------------------|------------|-------------------|----------|--------------------|------|------------------|-------|
| CODICE CODE 编号 | MODELLO MODEL 型号 | Press. Max / Max Pres./最大压力 | | Portata / Flow/流量 | | Potenza / Power/功率 | | Peso / Weight/重量 | |
| | | bar磅 | psi磅/每平方英寸 | L/min升/分钟 | GPM加仑/分钟 | kW千瓦 | HP马力 | Kg公斤 | LBS磅 |
| 04.7160.97.3 | WBL 813 | 130 | 1900 | 8 | 2.1 | 1.8 | 2.5 | 24 | 52.8 |
| 04.7161.97.3 | WBL 816 | 160 | 2300 | 8 | 2.1 | 2.2 | 3.0 | 27 | 59.4 |
| 04.7162.97.3 | WBL 911 | 110 | 1600 | 9 | 2.3 | 1.8 | 2.5 | 24 | 52.8 |
| 04.7163.97.3 | WBL 917 | 170 | 2400 | 9 | 2.3 | 3 | 4.0 | 29 | 63.8 |
| 04.7164.97.3 | WBL 1010 | 100 | 1450 | 10 | 2.6 | 1.8 | 2.5 | 24 | 52.8 |
| 04.7165.97.3 | WBL 1012 | 120 | 1750 | 10 | 2.6 | 2.2 | 3.0 | 27 | 59.4 |
| 04.7166.97.3 | WBL 1016 | 160 | 2300 | 10 | 2.6 | 3 | 4.0 | 29 | 63.8 |
| 04.7167.97.3 | WBL 1109 | 90 | 1300 | 11 | 2.9 | 1.8 | 2.5 | 24 | 52.8 |
| 04.7168.97.3 | WBL 1111 | 110 | 1600 | 11 | 2.9 | 2.2 | 3.0 | 27 | 59.4 |
| 04.7169.97.3 | WBL 1115 | 150 | 2200 | 11 | 2.9 | 3 | 4.0 | 29 | 63.8 |
| 04.7122.97.3 | WML 1214 | 140 | 2000 | 12 | 3.1 | 3 | 4.0 | 30 | 66 |
| 07.6500.97.3 | TML 1220 | 200 | 2900 | 12 | 3.1 | 4 | 5.5 | 40 | 88 |
| 04.7125.97.3 | WML 1317 | 175 | 2500 | 13 | 3.4 | 4 | 5.5 | 39 | 85.8 |
| 07.6502.97.3 | TML 1320 | 200 | 2900 | 13 | 3.4 | 5.5 | 7.5 | 50 | 110 |
| 04.7127.97.3 | WML 1515 | 150 | 2200 | 15 | 3.9 | 4 | 5.5 | 39 | 85.8 |
| 07.6503.97.3 | TML 1520 | 200 | 2900 | 15 | 3.9 | 5.5 | 7.5 | 50 | 110 |
| 07.6504.97.3 | TML 1720 | 170 | 2400 | 17 | 4.5 | 5.5 | 7.5 | 50 | 110 |
| 07.6505.97.3 | TML 1720 | 200 | 2900 | 17 | 4.5 | 7.5 | 10 | 60 | 132 |
| 07.6506.97.3 | TML 2020 | 150 | 2200 | 20 | 5.3 | 5.5 | 7.5 | 50 | 110 |
| 07.6507.97.3 | TML 2020 | 200 | 2900 | 20 | 5.3 | 7.5 | 10 | 60 | 132 |
| 06.6004.97.3 | TTL 2120 | 200 | 2900 | 21 | 5.5 | 7.5 | 10 | 61 | 134.2 |
| 06.6005.97.3 | TTL 2420 | 150 | 2200 | 24 | 6.3 | 7.5 | 10 | 61 | 134.2 |

| 2800 rpm 2800转速 | | TRIFASE - THREE PHASE - TRIPHASE - 三相 | | | | | | | |
|----------------------|------------------------|---------------------------------------|------------|-------------------|----------|--------------------|------|------------------|------|
| CODICE CODE 编号 | MODELLO MODEL 型号 | Press. Max / Max Pres./最大压力 | | Portata / Flow/流量 | | Potenza / Power/功率 | | Peso / Weight/重量 | |
| | | bar磅 | psi磅/每平方英寸 | L/min升/分钟 | GPM加仑/分钟 | kW千瓦 | HP马力 | Kg公斤 | LBS磅 |
| 04.7070.97.3 | WBL 1114 F | 140 | 2000 | 11 | 2.9 | 3.0 | 4.0 | 29 | 63.8 |
| 04.7071.97.3 | WBL 1410 F | 110 | 1600 | 14 | 3.7 | 3.0 | 4.0 | 29 | 63.8 |

1450 RPM: motori elettrici 4 poli - 2800 RPM: motori elettrici 2 poli

1450 RPM: 4 poles, electric motors - 2800 RPM: 2 poles, electric motors

1450 TR/min: moteurs électriques 4 pôles - 2800 TR/min: moteurs électriques 2 pôles

1450 RPM: 4极电动机 - 2800 RPM: 2极电动机